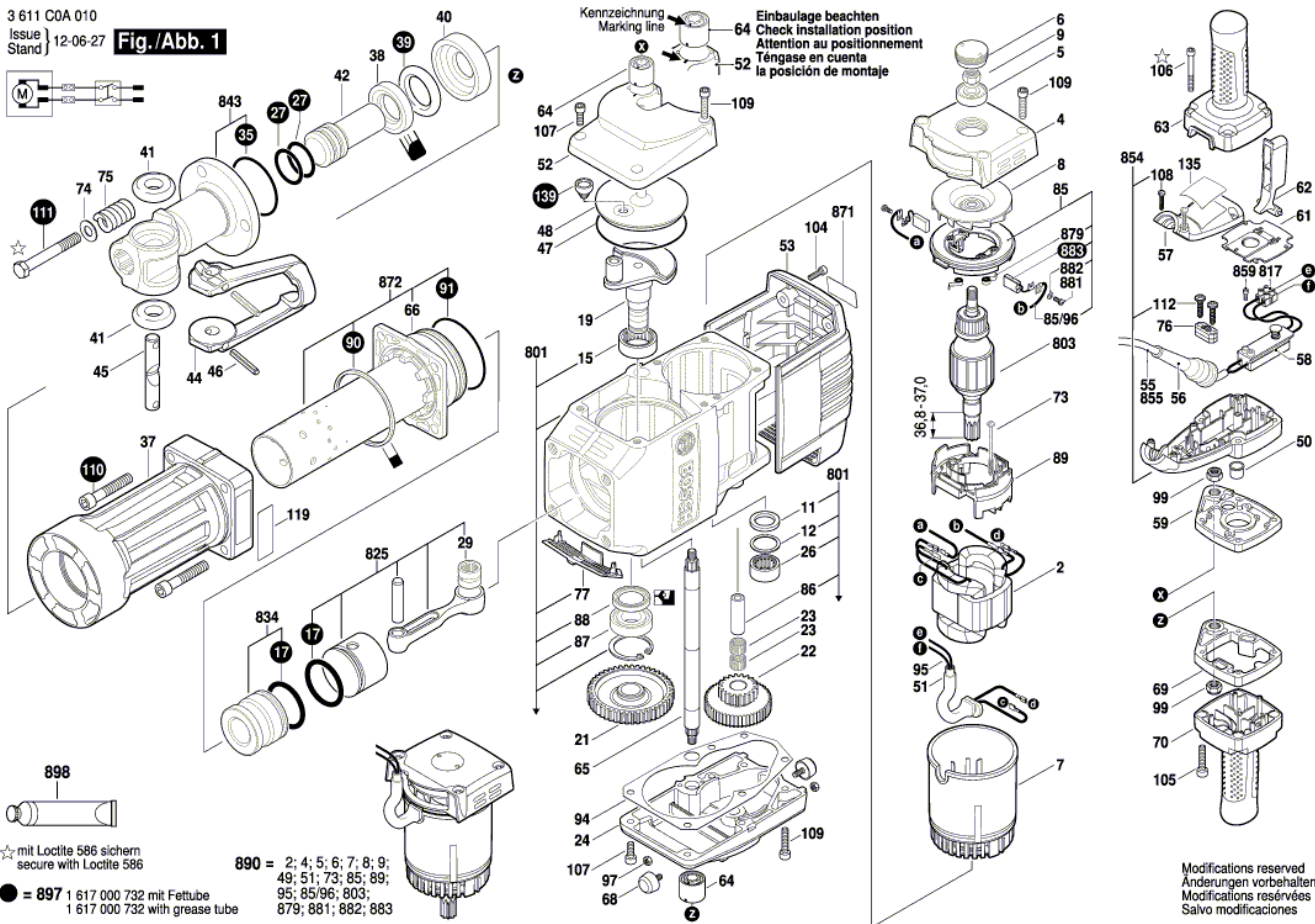




3 611 C0A 010

Issue 12-06-27  
Stand

**Fig./Abb. 1**



☆ mit Loctite 586 sichern  
secure with Loctite 586

● = 897 | 617 000 732 mit Fetttube  
1 617 000 732 with grease tube

890 = 2; 4; 5; 6; 7; 8; 9;  
49; 51; 73; 85; 89;  
95; 85/96; 803;  
879; 881; 882; 883

Modifications reserved  
Änderungen vorbehalten  
Modificaciones reservadas  
Salvo modificaciones



Pos.	Part Number	Description	Pos.	Part Number	Description
2	1 614 220 206		88	1 610 283 016	Rotary shaft lip seal
4	1 615 805 076		89	1 610 009 008	Spacer
5	1 610 900 015	Deep-Groove Ball Bearing	90	1 611 015 061	
6	1 615 500 214	Screw Plug	91	1 610 210 212	
7	1 615 108 104	Insulating Housing	94	1 611 015 021	Sealing Plate
8	1 616 610 091	Fan	95	1 614 413 009	
9	1 613 313 000	Hex Nut	97	2 915 011 007	Hex Nut
11	1 610 108 013	Felt Washer	99	3 613 313 500	Hex Nut
12	1 610 102 616	Supporting Disc	104	2 910 141 201	Hex Socket Head Cap Screw
15	1 610 910 091	Needle-Roller Bearing	105	2 914 551 188	Microencapsulated Screw
17	1 610 210 210		106	2 914 551 189	Microencapsulated Screw
19	1 616 110 044		107	2 910 141 242	Hex Socket Head Cap Screw
21	1 616 318 009	Cylindrical Gear	108	2 603 490 023	Lens Head Screw
22	1 616 328 036	Cylindrical Gear	109	2 910 141 248	Hex Socket Head Cap Screw
23	1 610 913 005	Needle-Roller Assembly	110	2 910 141 356	Hex Socket Head Cap Screw
24	1 615 500 437		111	1 613 414 024	
26	1 610 910 092	Needle-Roller Bearing	112	1 613 490 021	
27	1 610 210 213		119	1 611 110 D82	
29	1 610 910 097		135	1 611 110 H20	Reference Plate
35	1 610 210 211		139	1 610 508 050	Plug
37	1 615 806 233		801	1 617 000 742	
38	1 610 102 094		803	1 614 011 141	
39	1 610 290 103		817	1 611 091 006	Terminal
40	1 615 700 061		825	1 617 000 727	
41	1 610 210 008	O-Ring	834	1 617 000 728	
42	1 613 123 014		843	1 617 000 729	
44	1 618 045 026	Retaining Bracket	854	1 617 000 730	
45	1 613 103 004	Locking Bolt	859	2 910 011 088	Socket head cap screw
46	2 917 760 187	Clamping Sleeve	871	1 601 106 035	
47	1 900 210 172	O-Ring	872	1 617 000 731	
48	1 610 516 017		879	1 614 652 001	Spiral Spring
50	3 600 421 500	Protection Sleeve	881	1 613 490 005	Torx Oval-Head Screw
51	1 610 703 057		882	1 610 151 007	Spring Lock Washer
52	1 615 500 436		883	1 617 000 425	Carbon-Brush Set
53	1 615 500 415		890	1 617 000 743	
55	1 614 460 102		897	1 617 000 732	
56	1 610 703 011	Grommet	898	1 615 430 015	Grease Tube
57	1 615 500 418				
58	1 617 200 124				
59	1 615 700 069				
61	1 615 700 059				
62	1 612 026 153				
63	1 615 132 124				
64	1 616 334 000	Rubber Torsion-Bar			
65	1 613 060 005	Toothed Shaft			
66	1 610 290 101				
68	1 613 465 001	Rubber Buffer			
69	1 615 700 070				
70	1 615 132 125				
73	1 603 435 036	Tapping Screw			
74	2 916 160 010				
75	1 614 614 009				
76	1 611 302 016				
77	1 615 500 431				
85	1 614 336 045	Brush Holder			
85/96	1 614 448 037	Connecting Cable			
86	1 610 300 033	Bearing bolt			
87	1 610 900 027	Deep-Groove Ball Bearing			